

**G. Cronin & Sons, Inc.**  
5 George Street, P. O. Box 307  
Norfolk, MA 02056  
508-528-0731  
[info@croninoil.com](mailto:info@croninoil.com) [www.croninoil.com](http://www.croninoil.com)

## **Home Heating Comfort Plan**

### **General Provisions**

This plan includes preventive maintenance features and emergency service provisions for customers of G. Cronin & Sons, Inc. It is designed to assure dependable home comfort throughout the year with automatic oil heat at the lowest possible cost.

G. Cronin & Sons, Inc. agrees to perform the following work and services for a period of one year for the total price of \$259.00 for one zone, \$10.00 extra for each additional zone or oil fired hot water heater.

- I. Complete burner tune-up and cleanout (once per year).
  1. Lubricate motor, replace tank filter, adjust electrodes, test and adjust controls and ignition system.
  2. Install new nozzle.
  3. Replacement of parts if needed as listed (other side).
  4. Heat Exchanger and smoke pipe vacuum cleaning and doors sealed when needed.
  5. Set fire with instruments and smoke tester.

The following items are excluded from the service plan:

Modernization service in connection with boiler or furnace, water storage tank, indirect water heater, tankless water heater, draining or filling boiler, radiators, warm air registers. Service performed on the excluded items in this agreement will be charged for at hourly rates and such parts replaced will be charged at the current listing price.

G. Cronin & Sons, Inc. will not be responsible for damage resulting from fires, accidents, or any damage incurred by any person other than our authorized service technicians, and unavoidable delays beyond our control or any other damages caused directly or indirectly by such service for any reason. Abnormal conditions such as low voltage, flood (water in basement), hurricanes and other Acts of God requiring service will not be covered by this agreement.

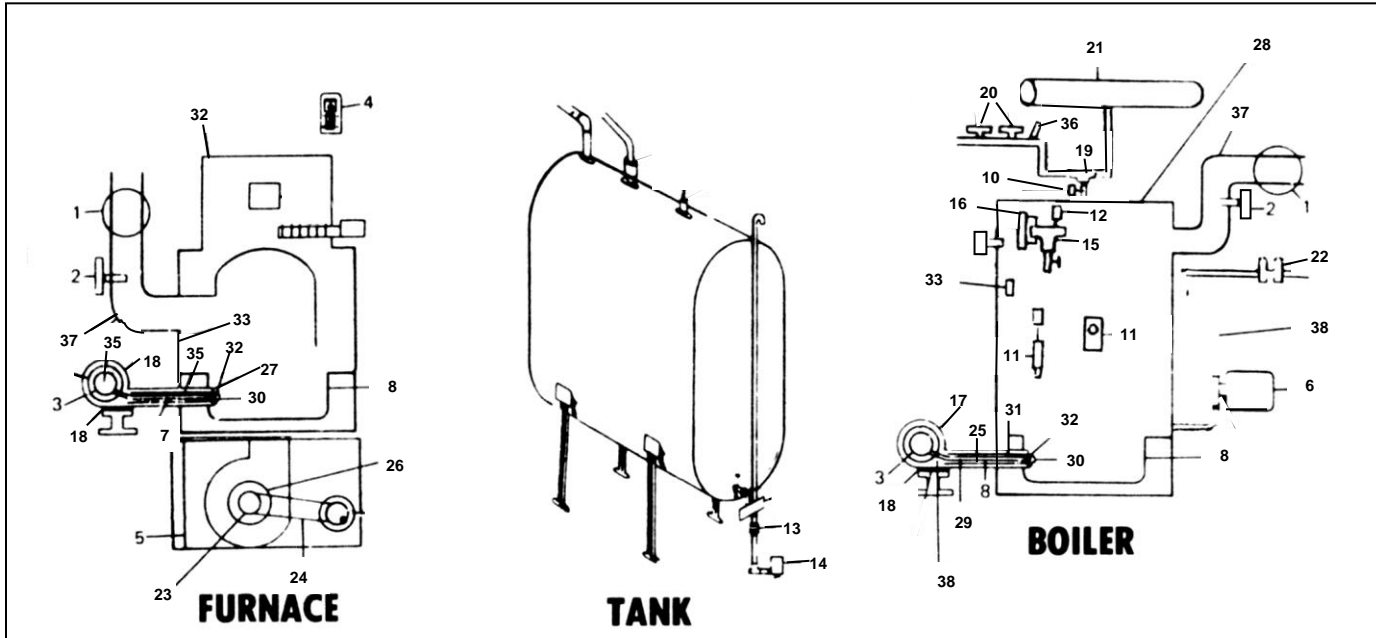
This agreement shall continue on for a period of one year from the date of this acceptance, and from year to year unless the customer requests termination. This oil burner service agreement is subject to our inspection and acceptance. We reserve the right to refund any payment made if not acceptable. This agreement is available only to our oil customers.

A cancellation of oil deliveries automatically cancels this service agreement.

# G. Cronin & Sons, Inc. (508) 528-0731

[info@croninoil.com](mailto:info@croninoil.com) [www.croninoil.com](http://www.croninoil.com)

All our service personnel are fully trained and state licensed.



## PARTS COVERED UNDER HOME HEATING COMFORT SERVICE PLAN

*\*SERVICE PLAN COVERS HEAT ONLY PARTS*

- |  |   |                               |
|--|---|-------------------------------|
| 1. Draft Regulator                     | 13. Oil Lever Tank Firomatic Valve                | 24. Blower Belt               |
| 2. Master Control                      | 14. Oil Filter                                    | 25. Blast Tube                |
| 3. Burner Motor                        | 15. Low Water Cut Off Complete                    | 26. Blower Unit               |
| 4. Thermostat (heat only)              | 16. Gauge Glass Assembly                          | 27. End Cone                  |
| 5. Air Filter (1 change)               | 17. Fuel Pump                                     | 28. Electric Firomatic        |
| 6. Heat Circulator                     | 18. Transformer (Ignition & Low Voltage)          | 29. Ignition Leads            |
| 7. Electrodes & Porcelains             | 19. Flow Control Valve – Check Valve              | 30. Nozzle                    |
| 8. Combustion Chamber                  | 20. Temperature & Pressure Relief Valves          | 31. Nozzle Line               |
| 9. Oil Lines & Fittings (not pictured) | 21. Expansion Tanks                               | 32. Nozzle Adaptor            |
| 10. Hot Water Limit Controls           | 22. Dual Valves / Backflow Preventer / Fill Valve | 33. Serviceman Switch         |
| 11. Low & Reverse Acting Aquastat      | 23. Blower Belt Pulley                            | 34. Burner Fan (not pictured) |
| 12. Pressure Control / Relief Valve    |   | 35. Burner Coupling           |
|  |   | 36. Auto Air Vent             |
|  |   | 37. Smoke Pipe                |
|  |   | 38. Return Purge Valves       |

## PARTS & LABOR NOT COVERED

- |                                    |                               |                   |
|------------------------------------|-------------------------------|-------------------|
| • Air Handlers                     | • Heat Exchanger              | • Tekmar Controls |
| • Automatic Water Feeders          | • Hot water circulators       | • Tempering Valve |
| • Blower Motor                     | • Humidifiers                 | • Vent Alarm      |
| • Buderus Logomatic Controls       | • Oil Gauge                   | • Water Heater    |
| • Clock Thermostats (Programmable) | • Oil Tanks                   |                   |
| • Condensate Pumps                 | • Outdoor Sensors             |                   |
| • Direct Vent Chimney Systems      | • Plumbing                    |                   |
| • Domestic Hot Water Coils         | • Power Ventors               |                   |
| • Draft Inducers                   | • PurePro Energy Manager      |                   |
| • Electronic Air Cleaners          | • Spirovent Air Eliminators   |                   |
| • Flow Restrictor Valves           | • System 2000 Energy Managers |                   |