

G. Cronin & Sons, Inc.
5 George Street, P. O. Box 307
Norfolk, MA 02056
508-528-0731

Home Heating Comfort Plan

General Provisions

This plan includes preventive maintenance features and emergency service provisions for customers of G. Cronin & Sons, Inc. It is designed to assure dependable home comfort throughout the year with automatic oil heat at the lowest possible cost.

G. Cronin & Sons, Inc. agrees to perform the following work and services for a period of one year for the total price of \$179.00 for one zone, \$10.00 extra for each additional zone or oil fired hot water heater.

- I. Complete burner tune-up and cleanout (once per year).
 1. Lubricate motor, replace tank filter, adjust electrodes, test and adjust controls and ignition system.
 2. Install new nozzle, when necessary.
 3. Replacement of parts if needed as listed (other side).
 4. Heat Exchanger and smoke pipe vacuum cleaning and doors sealed when needed.
 5. Set fire with instruments and smoke tester.

- II. Emergency service will be provided 24 hours a day during the cold weather, September 15th through April 15th. Prompt and efficient service will be rendered by G. Cronin & Sons, Inc. upon a customer's request during normal business hours, 7:30 am to 4:30 pm. Only service calls involving emergency heating problems will be covered during the non-heating season, May 15th through September 15th.

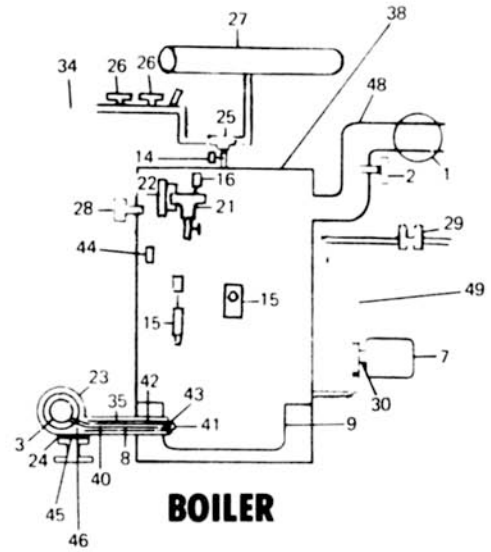
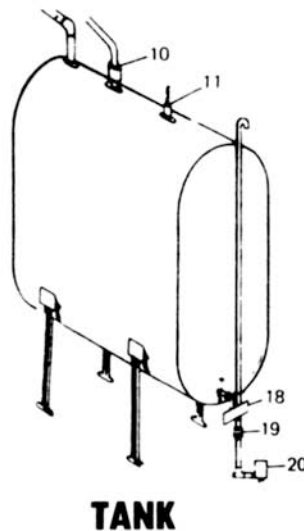
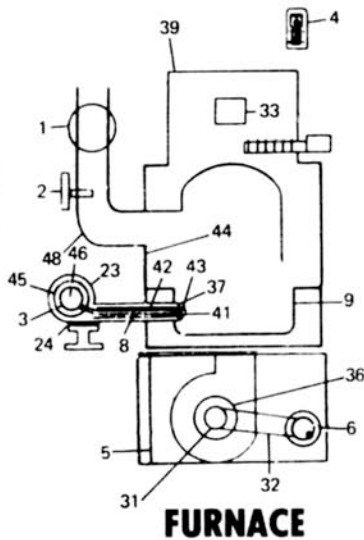
Items excluded are: modernization service in connection with boiler or furnace, water storage tank, indirect water heater, tankless water heater, draining or filling boiler, radiators, warm air registers. Service performed on the excluded items in this agreement will be charged for at hourly rates and such parts replaced will be charged at the current listing price.

G. Cronin & Sons, Inc. will not be responsible for damage resulting from fires, accidents, or any damage incurred by any person other than our authorized men, and unavoidable delays beyond our control or any other damages caused directly or indirectly by such service for any reason. Abnormal conditions such as low voltage, flood (water in basement), hurricanes and other Acts of God requiring service will not be covered by this agreement.

This agreement shall continue on for a period of one year from the date of this acceptance, and from year to year unless the customer requests termination. This oil burner service agreement is subject to our inspection and acceptance. We reserve the right to refund any payment made if not acceptable. This agreement is available only to our oil customers. A cancellation of oil deliveries automatically cancels this service agreement.

G. Cronin & Sons, Inc. (508) 528-0731

All our service personnel are fully trained and state licensed.



PARTS COVERED UNDER HOME HEATING COMFORT SERVICE PLAN

- | | | |
|-----------------------------------|--|----------------------------|
| 1. Draft Regulator | 20. Oil Filter | 34. Blast Tube |
| 2. Master Control | 21. Low Water Cut Off Complete | 36. Blower Unit & Bearings |
| 3. Burner Motor | 22. Gauge Glass Assembly & Gauge Clock | 37. End Cone |
| 4. Thermostat | 23. Fuel Pump | 38. Electric Firomatic |
| 5. Air Filter (1 change) | 24. Transformer (Ignition & Low Voltage) | 39. Firomatic Switch |
| 6. Blower Motor | 25. Flow Control Valve | 40. Ignition Leads |
| 7. Circulator Motor | 26. Temperature & Pressure Relief Valves | 41. Nozzle |
| 8. Electrodes & Porcelains | 27. Expansion Tanks | 42. Nozzle Line |
| 9. Combustion Chamber | 28. Altitude Gauge | 43. Nozzle Adaptor |
| 10. Vet Alarm | 29. Dual Valves | 44. Toggle Switch |
| 11. Oil Gauge | 30. Circulator Bracket | 45. Burner Fan |
| 13. Oil Lines & Fittings | 31. Blower Belt Pulley | 46. Burner Coupling |
| 14. Hot Water Limit Controls | 32. Blower Motor | 47. Auto Air Vent |
| 15. Low & Reserve Acting Aquastat | 33. Airscoop Altitude Gauge | 48. Smoke Pipe |
| 16. Pressure Control | | 49. Return Vent Valves |
| 18. Constant Level Valve | | |
| 19. Oil Lever Tank Valve | | |

PARTS & LABOR NOT COVERED

- | | | |
|--------------------------|-------------------------|-----------------------------|
| Condensate Pumps | Electronic Air Cleaners | Oil Tanks |
| Clock Thermostats | Flow Restrictor Valves | Water Heater |
| Circulators | Humidifiers | Heat Exchanger |
| Domestic Hot Water Coils | Tempering Valve | Direct Vent Chimney Systems |